

POSITIVE DISPLACEMENT FLOW METER

HELICAL FLOW METER

Model : HTFM250

Benefits:

AFFORDABLE AND ACCURATE

This meter has the ability to maintain consistent accuracy despite changing viscosity conditions, with accuracy of $\pm 0.5\%$ of reading.

RUGGED CONSTRUCTION

The **CBRO** solid meter construction is made of stainless steel with tungsten carbide bearings for corrosion resistance and durability. Optional hard-coat gear offerings available.

FLEXIBLE

May be used with a wide range of materials and viscosities with a low pressure drop than conventional meters and wide flow range/size selection.

PROVEN RELIABILITY & PERFORMANCE

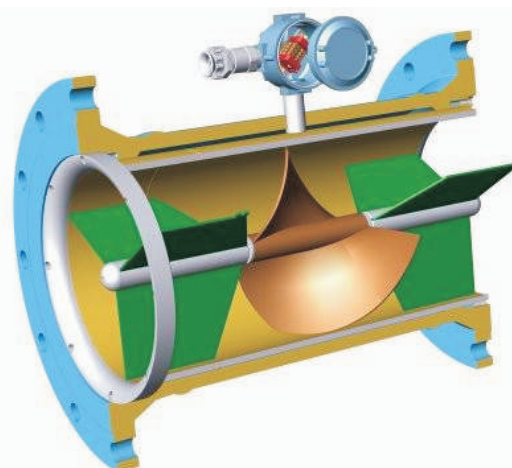
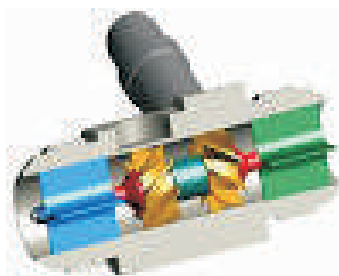
With a proven industry record for reliable meter life and electronics, these meters are ready to be installed into your process today.

Applications :

This series of flow meters from CBRO is a high-resolution answer to your metering needs. Made of stainless steel, the meters in the HTFM series offer wide measuring ranges and low pressure loss. A helical-gear design gives these meters lower pressure drop compared to other meters and ideal for metering high viscosity polyurethanes, polymers, glues, sealants, and heavy fuel oils. CBRO offers these specialized helical gear flow meters suitable for a variety of industrial applications, including :

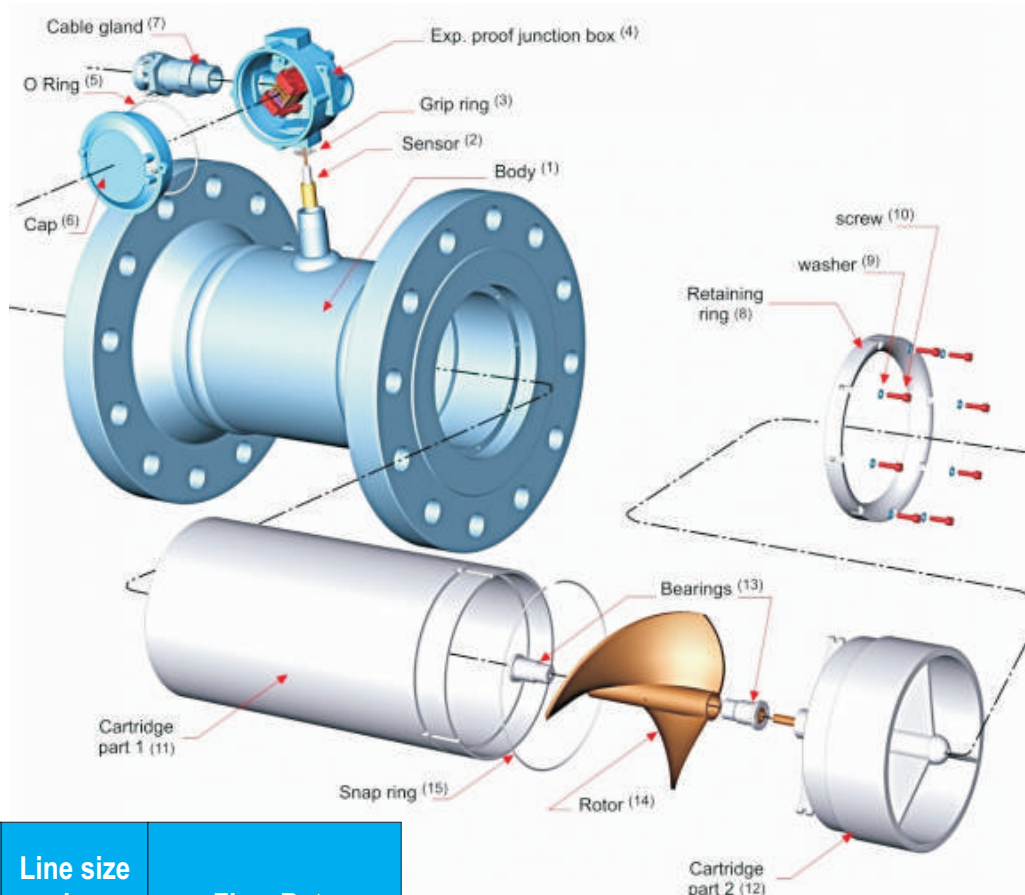
- Sealant / Adhesive Dispensing Applications – Single Multi-component
- Paint Reclaim And Environmental Tracking
- Paint Circulation / Supply
- Paint Spray Operations-high Solids / Filled Materials
- Material Manufacturing – Monitoring / Batching
- Rim Applications
- Polyurethane And Polymer
- Light And Heavy Fuel Oil
- Petrochemical Products
- Thixotropic Fluids
- Crude Oil
- Fuel Oil
- Fat And Oils With Varying Viscosities
- Hydraulic Test Rigs With Varying Viscosities And Flu
- Water / Glycol Mixtures
- Furnace Oil

and all viscous liquid even viscosity change with temp



The CBRO series of turbine meters is designed for high accuracy volume measurement of crude oils and other liquid hydrocarbons.

The turbine meter consists of a dual-helical blade rotor (14) that rotates as liquid passes through the meter. The rotation of the rotor is proportional to the volume of liquid flowing through the meter. The rotor is fitted with small magnets in each blade that make the sensor(s) (2) switch every time a rotor blade passes. Two diametrically opposed sensors are normally fitted. The rotor is located in a pressure-balanced measuring chamber (11, 12) that is maintained in the flow meter body by means of a screwed retaining ring (8).



MODEL	Line size in mm	Flow Rate
HTFM250-004	4	40 - 400 L/H
HTFM250-004	8	100 - 1000 L/H
HTFM250-012	12	600 - 6000 L/H
HTFM250-025	25	1000 - 10000 L/H
HTFM250-040	40	2000 - 20,000 L/H
HTFM250-050	50	4000 - 40,000 L/H
HTFM250-080	80	10000 - 100000 L/H
HTFM250-100	100	20000 - 200000 L/H
HTFM250-150	150	30000 - 300000 L/H
HTFM250-200	200	80000 - 800000 L/H

Material of construction:

Enclosure : S.S-304/S.S-316
 Helical Rotor : S.S-304/ Titanium/ Aluminium anodized
 Shaft : Hard Stainless Steel-316 with carbon bearing
 Accuracy (standard installation position) : +/- 0.5 or 1% FSD
 Repeatability : 0.1%
 Maximum working pressure : 40 MPA
 Fluid & Ambient temperature: -20 to 120 Deg. C
 Connection: Thread (M/F) or flange
1) Pulse output sensor :
 Power voltage: 12 V DC
 Output signal: NPN open connector
 Output:
 high electric level : High than 8 VDC(input voltage 12 VDC)
 low electric level : lower than 0.8 VDC(input voltage 12 VDC)

2) Battery Operated : Power Voltage 3.3 V10AH Lithium Batteries, Battery Life : 5 years

3) Display with 4 to 20 mA Output

Power supply : 24VDC, Output : 4-20mA

Enclosure : IP65, Exx 'd', Atex



CBRO INCORPORATION

Reg. Corr. Address : B-204, Princeton Tower, Hiranandani Estate, G. B. Road, Dist - Thane - (W) - 400607, INDIA.

Telefax : +91 251 2271336, Cell : +91 9321727262

Email - cbroincorporation@hotmail.com, Website : www.cbroidia.com



Reg. No. 305/Q-050